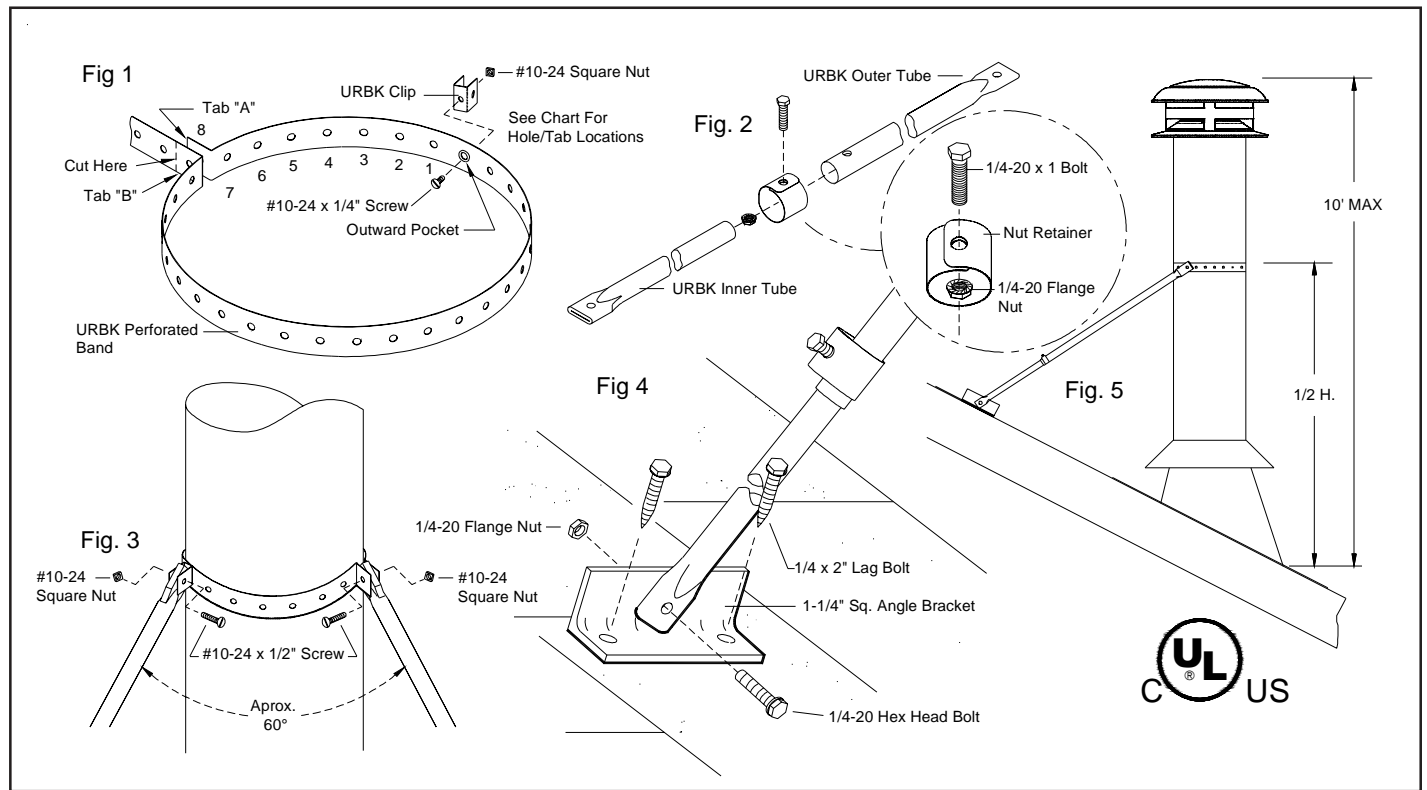


# UNIVERSAL ROOF BRACE KIT ASSEMBLY

## SELKIRK MODELS ST, UT & CF "Sentinel"



### “Universal Roof Brace Kit” Assembly (See Corresponding Figures)

After extending chimney to required height above roof, per main installation instructions:

- Fig. 1 Identify formed outward pocket in band that will be wrapped around pipe. Use “Hole/ Tab Selection Chart” to determine number of holes to count in each direction (from pocket) to tab position. Bend tabs as shown. Secure “U” clip to pocket with screw and nut as shown. Wrap band around pipe (at approx. location shown in Fig. 5) to confirm band becomes tight when tabs are pulled together. Remove excess material from tab ends as shown.
- Fig. 2 Assemble tubular, telescoping legs as shown. Loosely secure Hex Head Bolt/Nut to position legs in partially extended position.
- Fig. 3 Use additional bolts and nuts to attach top end of tubular legs to band as shown. Rotate/adjust location of band/leg assembly to orientation shown in Fig. 5. Re-adjust leg length as necessary.
- Fig. 4 Secure bottom end of legs to brackets and brackets to roof with hardware as shown. Rotate/adjust location of band/leg assembly to approx. same elevation, on high side of sloped roof.
- Fig. 5 Check final assembly for compliance with dimensions and tighten all fasteners securely.

### Universal Roof Brace Kit - Hole / Tab Selection Chart

Model	Inside Diameter Inches	Distance (# holes) from “Pocket” to bolt hole in tab “A”	Distance (# holes) from “Pocket” to bolt hole in tab “B”
ST/ UT	5	4	18
ST/ UT	6	4	21
ST/ UT	7	5	23
ST/ UT	8	5	27
ST/ UT	10	6	32
ST/ UT	12	7	37
ST/ UT	14	8	42
CF “SENTINEL”	6	6	27
CF “SENTINEL”	7	6	31
CF “SENTINEL”	8	7	34

### LIST OF CONTENTS

QTY.	ITEMS
2 ea.	Angle Bracket 1-1/4 sq. x 4”
4 ea.	1/4 x 2” Lag Bolt
4 ea.	1/4-20 x 1” Hex Head Bolt
4 ea.	1/4-20 Flange Nut
2 ea.	#10-24 x 1/2” Hex Head Machine Screw
1 ea.	#10-24 x 1/4” Truss Slot Screw
3 ea.	#10-24 Square Nut
2 ea.	URBK Inner Roof Brace Tube
2 ea.	URBK Outer Roof Brace Tube
1 ea.	URBK Perforated Band
1 ea.	URBK Clip
2 ea.	Nut Retainer