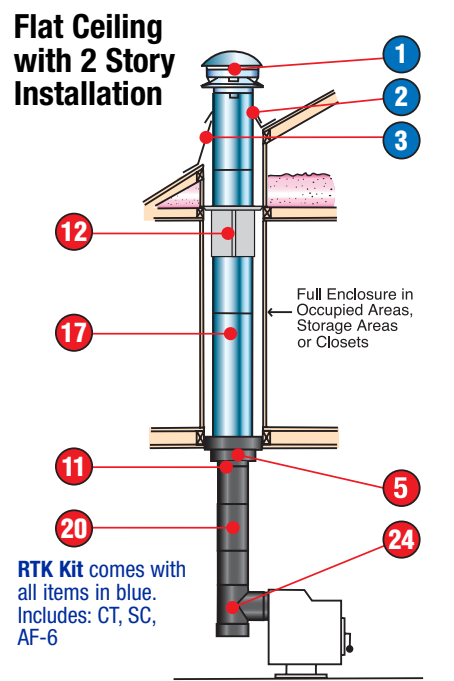
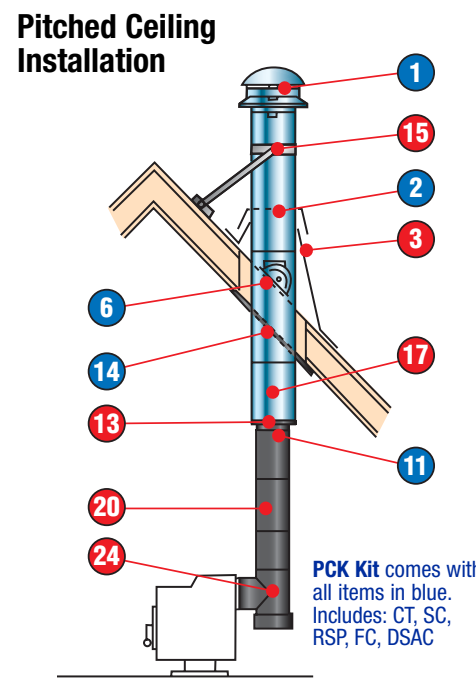
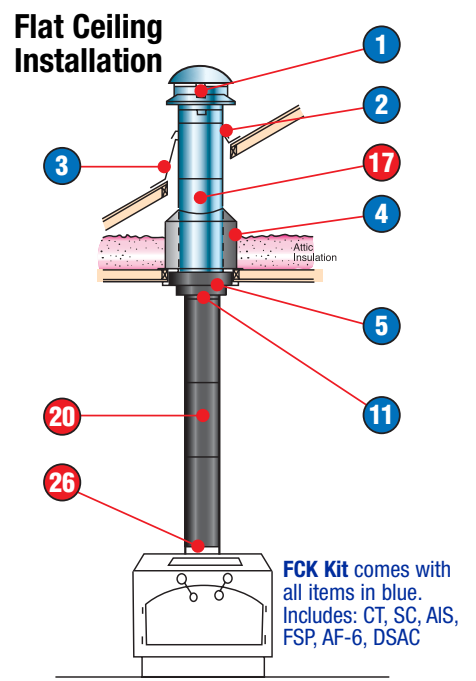
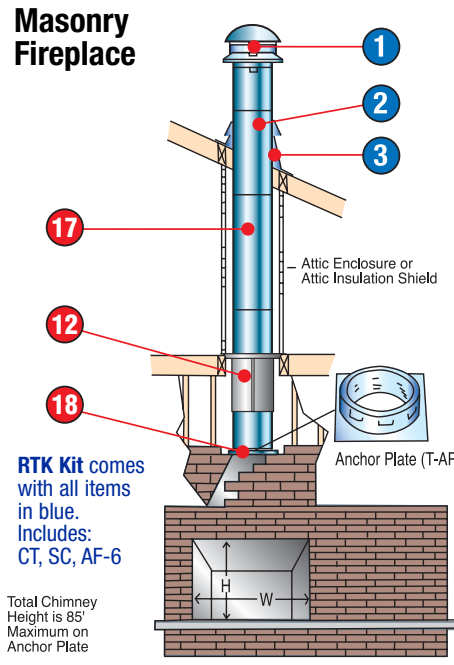
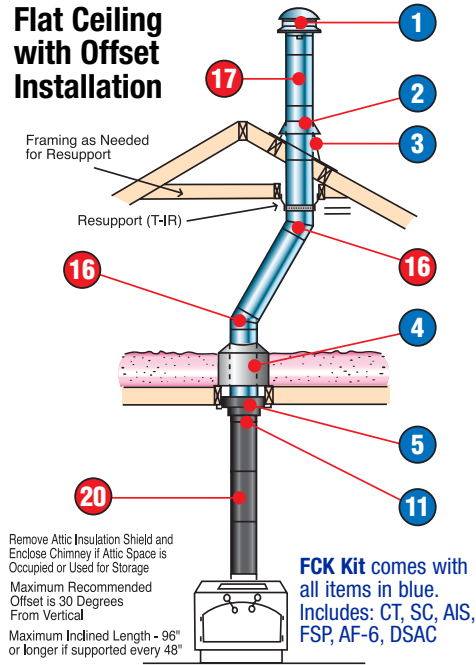
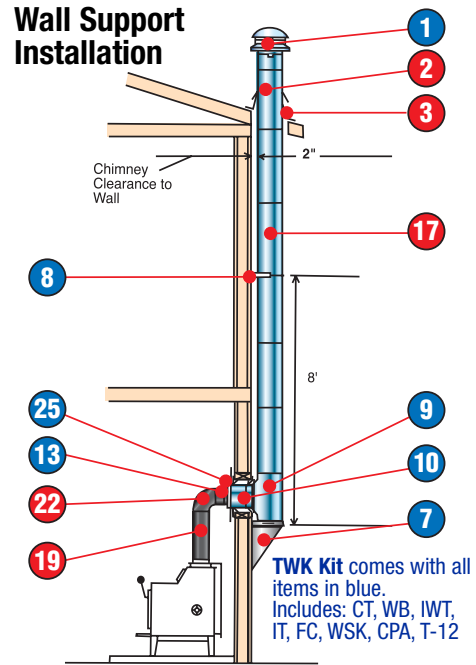




## Step 1 Select type of installation by determining where your chimney will run.

(Installations may vary, Please refer to the installation instructions @www.selkirkusa.com)



## Installation Planning Work Sheet

PLATINUM SERIES™ CHIMNEY	SKU	QTY	PRICE
<b>Chimney Kits</b>			
<b>RTK (T-RTK)</b> - Roof Termination Kit, <i>includes: 1, 2, 3</i>	20X600	X	= \$
<b>FCK (T-FCK)</b> - Flat Ceiling Kit, <i>includes: 1, 2, 3, 4, 5, 11</i>	20X620	X	= \$
<b>PCK (T-PCK)</b> - Pitched Ceiling Kit, <i>includes: 1, 2, 6, 11, 13, 14</i>	20X621 or 20X621G	X	= \$
<b>TWK (T-TWK)</b> - Thru-the-Wall Kit, <i>includes: 1, 7, 8, 9, 13, 25, (T-12)</i>	20X622 or 20X622G	X	= \$
<b>1 Round Top (T-CT)</b>	20X800	X	= \$
<b>2 Storm Collar (T-SC)</b>	20X810	X	= \$
<b>3 Roof Flashing (See Step 4)</b>			
Adjustable 0/12 to 6/12 (T-AF6)	20X825	X	= \$
Adjustable 6/12 to 12/12 (T-AF12)	20X830	X	= \$
<b>4 Attic Insulation Shield (T-AIS)</b>	20X490	X	= \$
<b>5 Finish Ceiling Support (T-FSP)</b>	20X410	X	= \$
<b>6 Roof Support Package (T-RSP)</b>	20X420	X	= \$
<b>7 Wall Support Kit (T-WSK)</b>	20X430	X	= \$
<b>8 Wall Band (T-WB)</b>	20X520	X	= \$
<b>9 Insulated Tee and Plug (T-IT)</b>	20X100 or 20X100G	X	= \$
<b>10 Insulated Wall Thimble (T-IWT)</b>	20X463	X	= \$
<b>11 Stove Pipe Adapter (T-DSAC)</b>	20X240	X	= \$
<b>12 Joist Shield (T-JS)</b>	20X465	X	= \$
<b>13 Finishing Collar (T-FC)</b>	20X480	X	= \$
<b>14 Adjustable Pitched Ceiling Plate (T-PCPAJ)</b>	20X512	X	= \$
<b>15 If Chimney extends more than 5' above roof line</b>			
Roof Brace Kit (T-RBK)	20X440	X	= \$
<b>16 If an Offset is required use an Elbow Kit. (See Step 5)</b>			
15° Elbow Kit - kits contain 2 elbows, 2 lockbands, and 1 Interior Resupport (T-15EL Kit)	20X206 or 20X206G	X	= \$
30° Elbow Kit - kits contain 2 elbows, 2 lockbands, and 1 Interior Resupport (T-30EL Kit)	20X211 or 20X211G	X	= \$
<b>17 Chimney Lengths (See Step 3)</b>			
12" Length (T12)	20X012U	X	= \$
18" Length (T18)	20X018U or 20X018G	X	= \$
24" Length (T24)	20X024U	X	= \$
36" Length (T36)	20X036U or 20X036G	X	= \$
48" Length (T48)	20X048U or 20X048G	X	= \$
<b>18 Anchor Plate (T-AP)</b>	20X400	X	= \$
<b>MODEL DSP DOUBLE WALL SMOKE PIPE</b>			
<b>19 Vertical Installation Kit (DSP-VK)</b>			
Includes CPA, Telescoping Length, Finishing Band (Adjustable from 36" - 68")	26X610	X	= \$
<b>20 Smoke Pipe Lengths</b>			
36" Length (DSP-P36)	26X036	X	= \$
24" Length (DSP-P24)	26X024	X	= \$
12" Length (DSP-P12)	26X012	X	= \$
6" Length (DSP-P6)	26X006	X	= \$
<b>21 12" Adjustable Length (DSP-AL)</b>	26X086	X	= \$
<b>22 90° Adjustable Elbow (DSP-E9)</b>	26X230	X	= \$
<b>23 45° Adjustable Elbow (DSP-E4)</b>	26X215	X	= \$
<b>24 Tee with Insulated Cap (DSP-TE)</b>	26X100	X	= \$
<b>25 Chimney Pipe Adapter (DSP-CPA)</b>	25X240	X	= \$
<b>26 Appliance Adapter (DSP-SA)</b>	26X243	X	= \$
<b>27 7" to 8" Outlet Adapter* (7DSP-I8)</b>	267308	X	= \$

## Step 2 Determine chimney diameter

Determine the (inner) diameter of your chimney. This is usually the same size (6" or 8") as the flue collar on your wood stove.

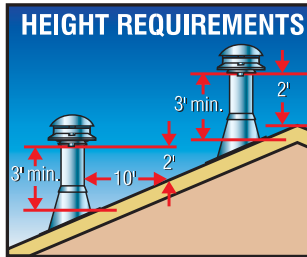


## Step 3 Determine overall height

Determine the number of Chimney Lengths required. Chimney Lengths are available in 48", 36", 24", 18", 12" and 6" lengths.

The chimney must extend at least 3' above the highest point where it passes through the roof surface and at least 2' higher than any part of the building within a horizontal distance of 10'.

NOTE: When calculating the installed length of your chimney, subtract 1-1/4" for each joint & include the Height Requirements as shown in this illustration.



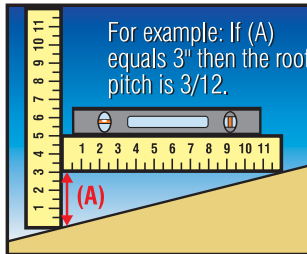
## Step 4 Determine roof pitch

Choose the proper Roof Flashing required for your installation.

To determine which Roof Flashing you require, work out the pitch of your roof.

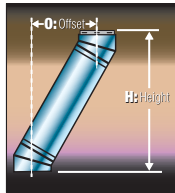
0/12 - 6/12 Roof Pitch = (Low Slope)  
6/12 - 12/12 Roof Pitch = (Steep Slope)

NOTE: To calculate your roof pitch use one of the 12 inch rulers, to measure the number of inches (A) from the end of the other ruler down to the roof.



## Step 5 Offset calculation for ceiling support installations only

If an offset is required to avoid obstructions, measure the horizontal distance required and the vertical height available. Refer to the Chimney Offset Chart to determine the elbows and chimney length required.



Part No.	2 Elbows w/o Pipe		2 Elbows + 6" Section		2 Elbows + 9" Section		2 Elbows + 12" Section		2 Elbows + 18" Section		2 Elbows + 24" Section		2 Elbows + 36" Section		2 Elbows + 48" Section	
	O	H	O	H	O	H	O	H	O	H	O	H	O	H	O	H
5GT/UT - EL 15°	0.93"	7.03"	2.16"	11.62"	2.94"	14.52"	N/A	N/A	5.72"	23.21"	N/A	N/A	9.92"	40.60"	N/A	N/A
6GT/UT - EL 15°	1.04"	7.88"	2.27"	12.47"	3.05"	15.37"	3.82"	18.26"	5.38"	24.06"	6.92"	29.85"	10.03"	41.25"	13.03"	53.04"
7GT/UT - EL 15°	1.00"	7.62"	2.23"	12.21"	3.01"	15.11"	3.78"	18.00"	5.34"	23.80"	6.89"	29.59"	10.00"	41.19"	13.10"	52.78"
8GT/UT - EL 15°	0.97"	7.36"	2.20"	11.95"	2.98"	14.85"	3.75"	17.74"	5.31"	23.54"	6.85"	29.33"	9.96"	40.93"	13.07"	52.52"
*5GT/UT - EL 30°	3.64"	13.59"	6.02"	17.70"	7.52"	20.30"	9.02"	22.90"	12.02"	28.10"	15.02"	33.29"	21.02"	43.69"	27.02"	54.08"
*6GT/UT - EL 30°	4.08"	15.23"	6.45"	19.34"	7.96"	21.94"	9.45"	24.54"	12.45"	29.74"	15.45"	34.93"	21.45"	45.33"	27.45"	55.72"
*7GT/UT - EL 30°	3.95"	14.73"	6.33"	18.84"	7.83"	21.44"	9.33"	24.04"	12.33"	29.24"	15.33"	34.43"	21.33"	44.83"	27.33"	55.22"
*8GT/UT - EL 30°	3.81"	14.23"	6.19"	18.34"	7.69"	20.94"	9.19"	23.54"	12.19"	28.74"	15.19"	33.93"	21.19"	44.33"	27.19"	54.72"
5GT/UT - EL 30°	3.67"	13.75"	6.05"	17.86"	7.55"	20.46"	N/A	N/A	12.05"	28.26"	N/A	N/A	21.05"	43.84"	N/A	N/A
6GT/UT - EL 30°	3.82"	14.26"	6.20"	18.37"	7.70"	20.97"	9.19"	23.57"	12.20"	28.76"	15.20"	33.96"	21.20"	44.35"	27.20"	54.75"
7GT/UT - EL 30°	3.96"	14.76"	6.34"	18.87"	7.84"	21.47"	9.33"	24.07"	12.34"	29.26"	15.34"	34.46"	21.34"	44.85"	27.34"	55.25"
8GT/UT - EL 30°	4.09"	15.26"	6.47"	19.37"	7.97"	21.97"	9.46"	24.57"	12.46"	29.76"	15.47"	34.96"	21.47"	45.35"	27.47"	55.75"

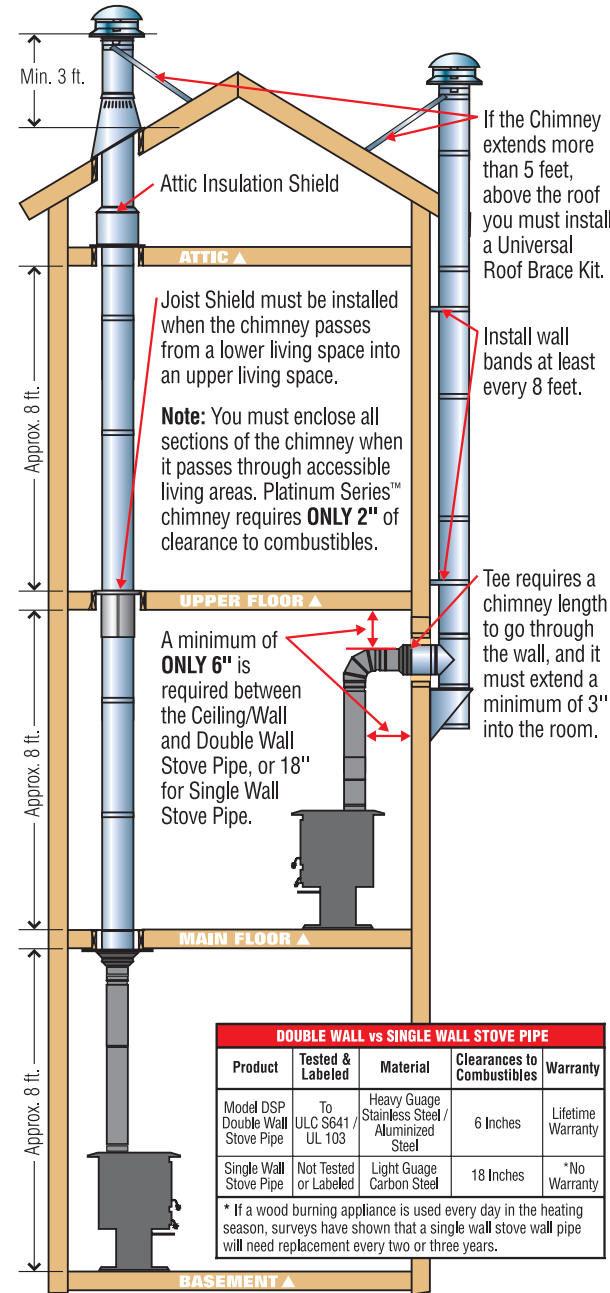
NOTE: O = Offset; H = Height  
An Interior Resupport comes with each Elbow Kit

All dimensions and indicated lengths assume a 1.25" overlap. 5" through 10" - 15 degree elbows are new 2 gore design. \*\* are for a pair of 15 deg elbows.

## Step 6 Select smoke pipe

The final step required to complete your wood stove venting solution is to determine the Model DSP Double Wall Stove Pipe parts that will be needed to complete your installation. (Refer to Installation Diagrams (Step 1) and complete your Installation Planning Work Sheet)

## Helpful Installation Tips



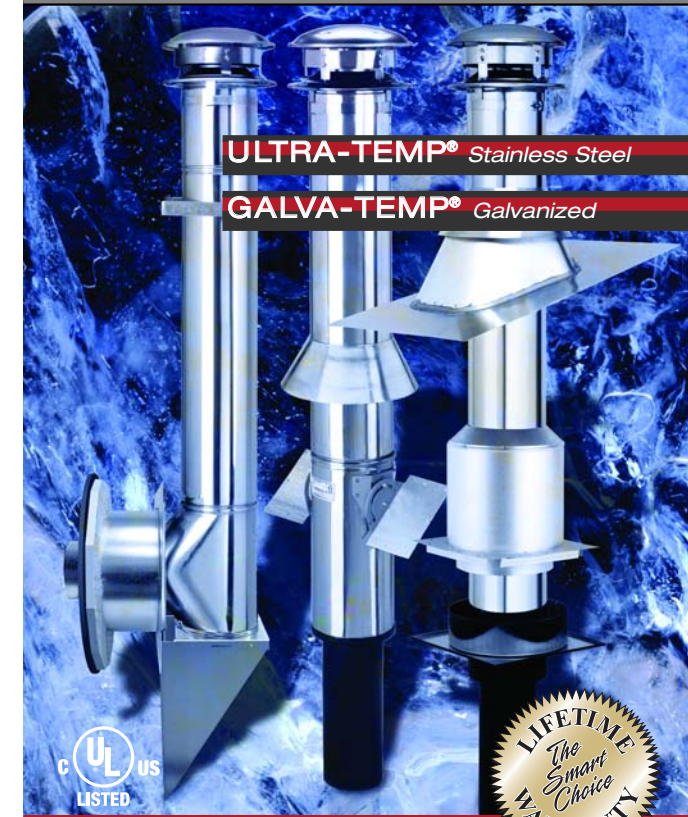
DOUBLE WALL vs SINGLE WALL STOVE PIPE				
Product	Tested & Labeled	Material	Clearances to Combustibles	Warranty
Model DSP Double Wall Stove Pipe	To ULC S641 / UL 103	Heavy Gauge Stainless Steel / Aluminized Steel	6 Inches	Lifetime Warranty
Single Wall Stove Pipe	Not Tested or Labeled	Light Gauge Carbon Steel	18 Inches	*No Warranty

\* If a wood burning appliance is used every day in the heating season, surveys have shown that a single wall stove wall pipe will need replacement every two or three years.

Need answers - Call 800.992.8368 or visit us online at [www.selkirkusa.com](http://www.selkirkusa.com)

## Chimney Kit Guide

FOR ALL FUEL TYPE HT CHIMNEY



## DOUBLE WALL INSULATED CHIMNEY SYSTEMS

"THE COOLEST UNDER THE HOTTEST CONDITIONS..."